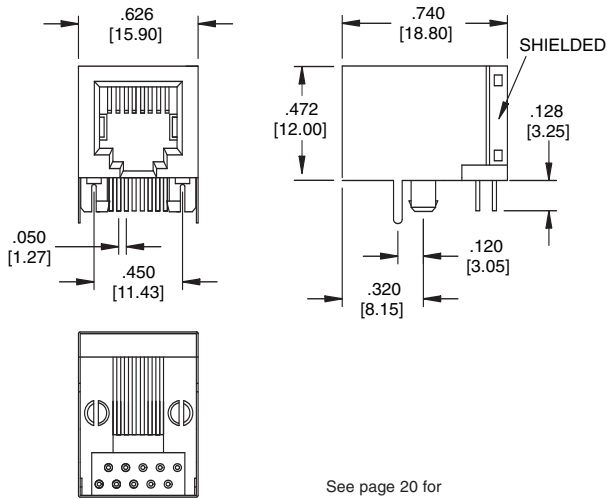


Ordering Information pg. 9

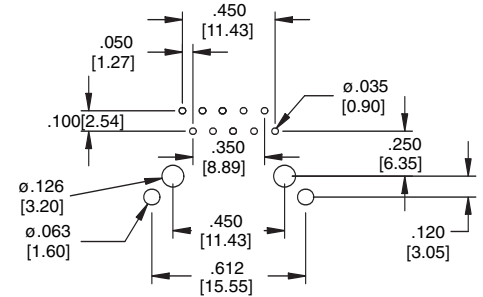
TYPE W
SHIELDED, THRU HOLE
8P8C
10P10C



MTJ-88WX1-FSE

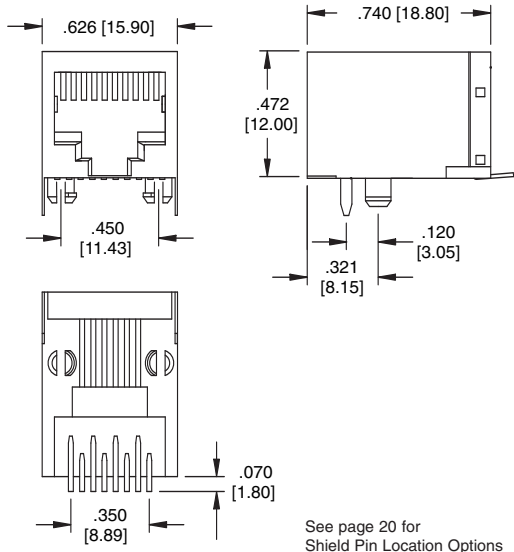


MTJ-88WX1-FSE-PG
 Shown with optional panel ground tabs



Recommended PCB Layout

See page 20 for Shield Pin Location Options

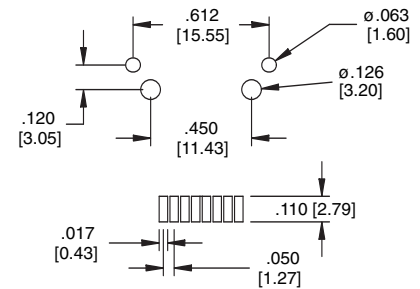


MTJ-88WX1-FSE-SMT



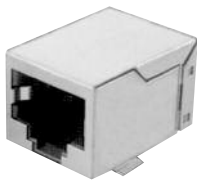
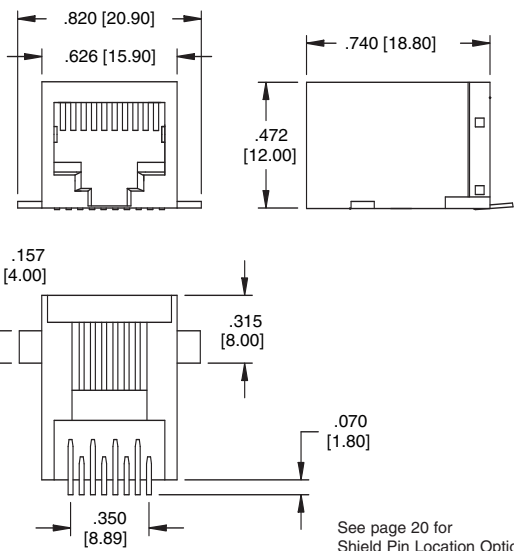
MTJ-88WX1-FSE-SMT-PG
 Shown with optional panel ground tabs

TYPE W
SHIELDED SMT WITH PLASTIC PEG
8P8C



Recommended Solder Pad Layout

See page 20 for Shield Pin Location Options

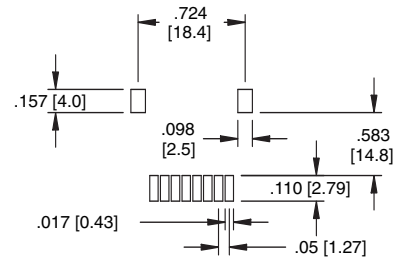


MTJ-88WX1-FS-TSMT



MTJ-88WX1-FS-TSMT-PG
 Shown with optional panel ground tabs

TYPE W
SHIELDED TRUE SMT
8P8C



Recommended Solder Pad Layout

See page 20 for Shield Pin Location Options